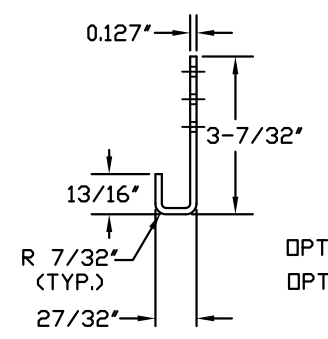
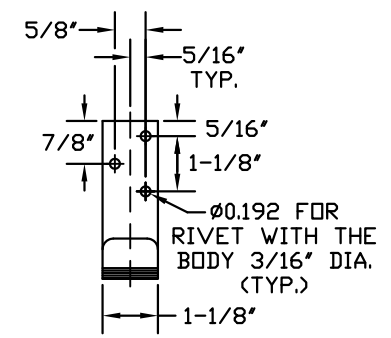
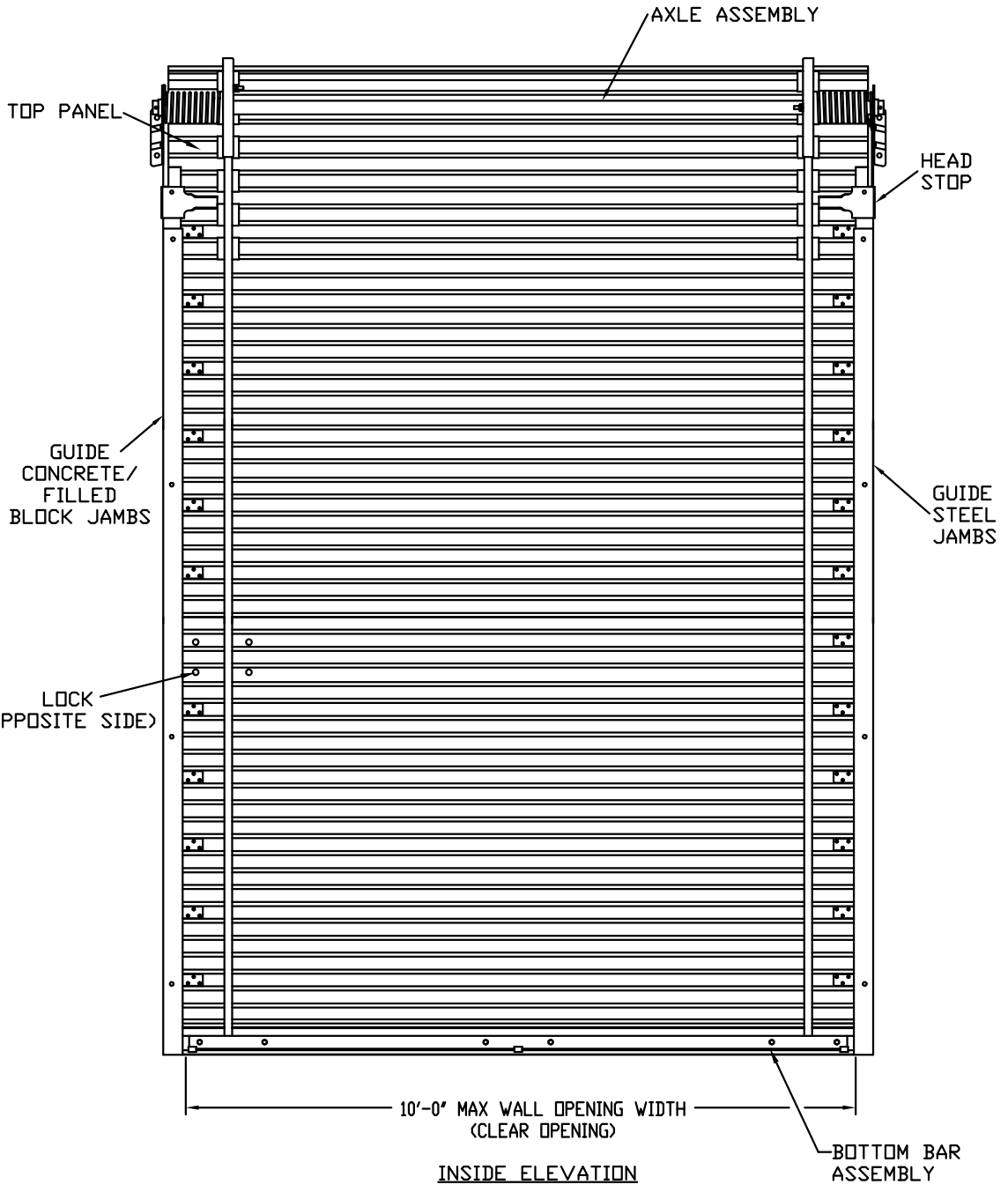
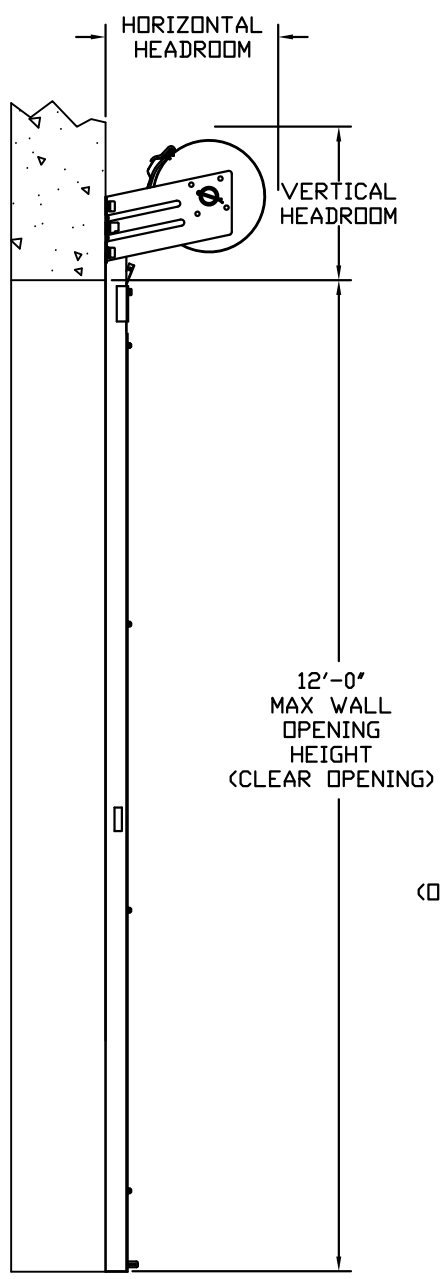


MINIMUM HEADROOM DIMENSIONS

OPENING HEIGHT	THRU 7'-4"	OVER 7'-4" THRU 8'-8"	OVER 8'-8" THRU 10'-0"
VERTICAL HEADROOM	15-1/2"	16"	18"
HORIZONTAL HEADROOM	17-1/2"	18"	19"

REVISIONS

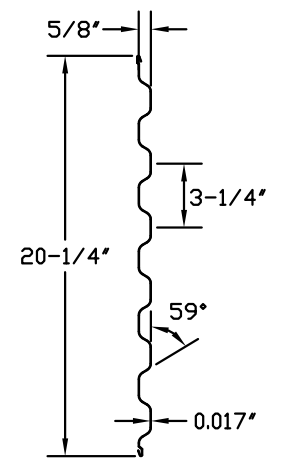
REV	DESCRIPTION	DATE	APPROVAL
1	CERTIFICATION UPDATE	6/06/06	H.B.
2	CERTIFICATION UPDATE	8/19/08	B.A.
3	REMOVED CODE REFERENCE IN NOTE	2/21/12	B.A.
4	MODIFIED FOR TDI	12/19/13	B.A.



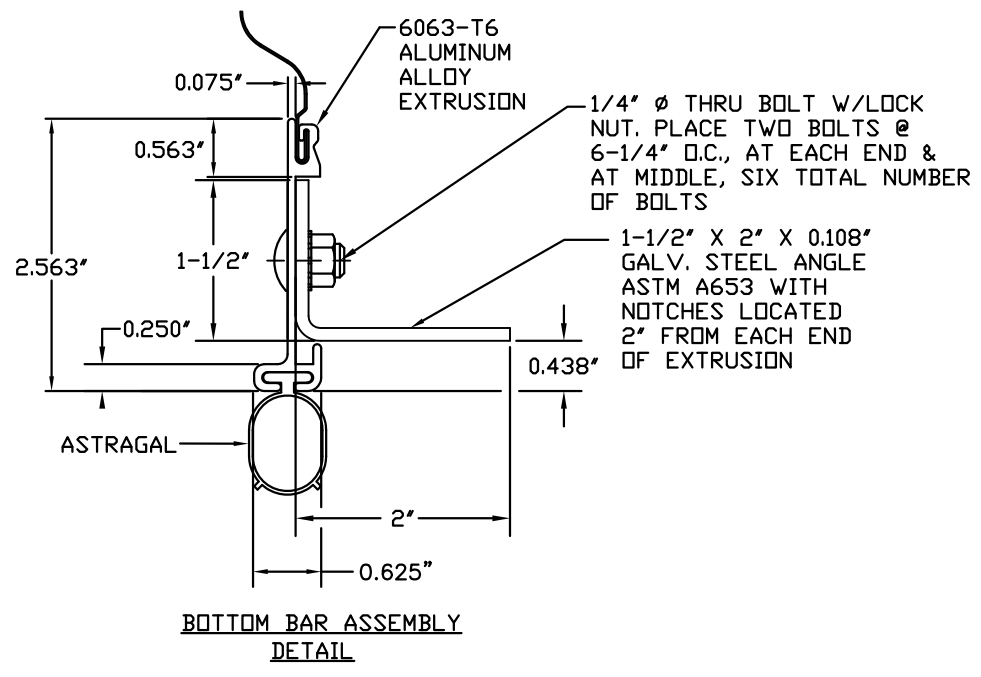
ASTM A653 G40 GALVANIZED CS TYPE B
WINDLOCK DETAIL

EACH WINDLOCK IS ATTACHED TO CURTAIN WITH THREE STEEL RIVETS WITH THE BODY 3/16" DIA.

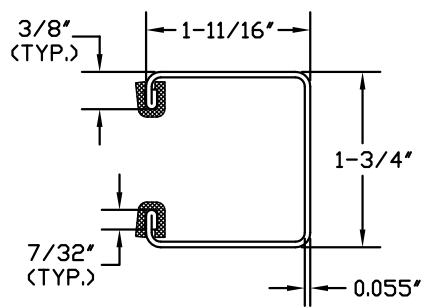
OPTION 1: THE WINDLOCK SHOWN WAS TESTED.
OPTION 2: THE SAME WINDLOCK WITH A GUSSET MAY ALSO BE USED.



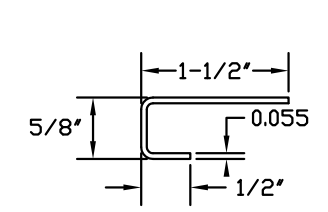
ASTM A653 SS GRADE 80 WITH FULL COAT OF PRIMER AND BAKED POLYESTER FINISH COAT
TYPICAL PANEL (26 GA.) DETAIL



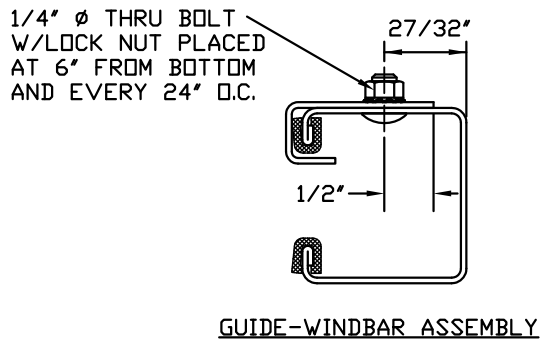
BOTTOM BAR ASSEMBLY DETAIL



ASTM A653 G40 GALVANIZED CS TYPE B
GUIDE DETAIL



ASTM A653 G40 GALVANIZED CS TYPE B
WINDBAR DETAIL



GUIDE-WINDBAR ASSEMBLY

JOHN E. SCATES PE
3121 FAIRGATE
CARROLLTON, TX 75007

FL PE 51737
TX PE 56308/F-2203

THESE CONFIDENTIAL DOCUMENTS SUBMITTED BY DBCI CONTAIN INFORMATION OF A PROPRIETARY NATURE AND MAY NOT BE REPRODUCED OR USED TO MANUFACTURE ANYTHING IN PART OR IN WHOLE FOR ANY PURPOSE OTHER THAN THAT WHICH IS NECESSARY FOR PREPARATION OF BIDS OR ENGINEERING WITHOUT THE EXPRESS PERMISSION OF DBCI WHICH MAY RECALL DOCUMENTS AT ANY TIME.

PROFESSIONAL ENGINEERS' SEAL PROVIDED ONLY FOR VERIFICATION OF WINDLOAD CONSTRUCTION DETAILS.

PART NUMBER: N/A	
MATERIAL: N/A	
APPLIED FINISH: N/A	
UNIT OF MEASURE: N/A	
APPROVALS	DATE:
DRAWN H.B.	10/15/05
CHECKED H.B.	10/18/05
APPROVED	

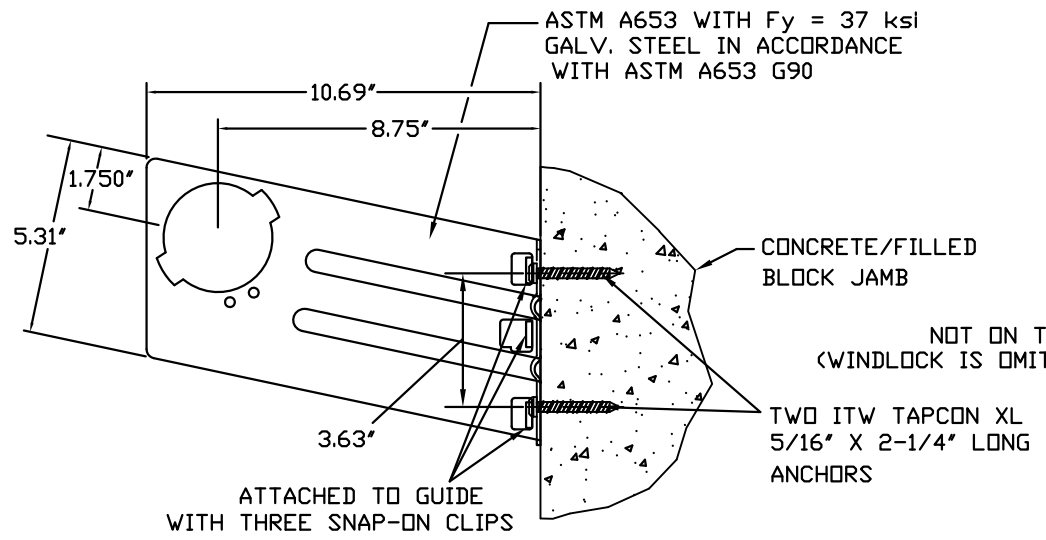
DBCI DOORS & BUILDING COMPONENTS
DOUGLASVILLE, GA CHANDLER, AZ HOUSTON, TX
©2000 DBCI ALL RIGHTS RESERVED

26 GA. WIND LOAD MAX. SIZE 10'-0" x 12'-0"

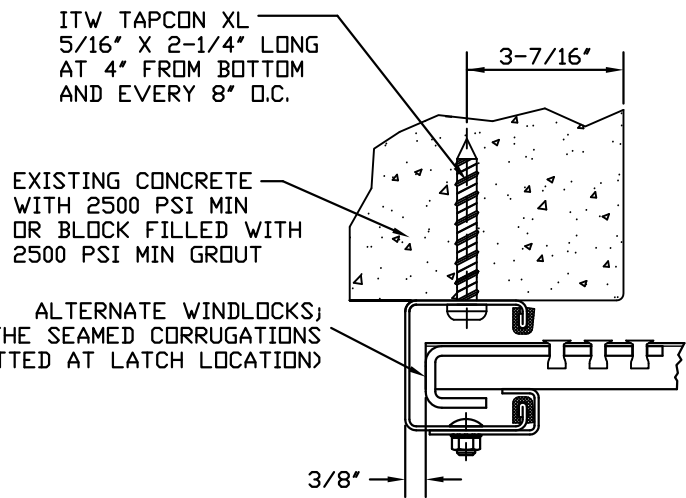
SERIES 690 DOOR ASSEMBLY

SIZE B	DRAWING NUMBER -300-130-0001.01	REV. 4
SCALE: NONE	SHEET 1 OF 2	

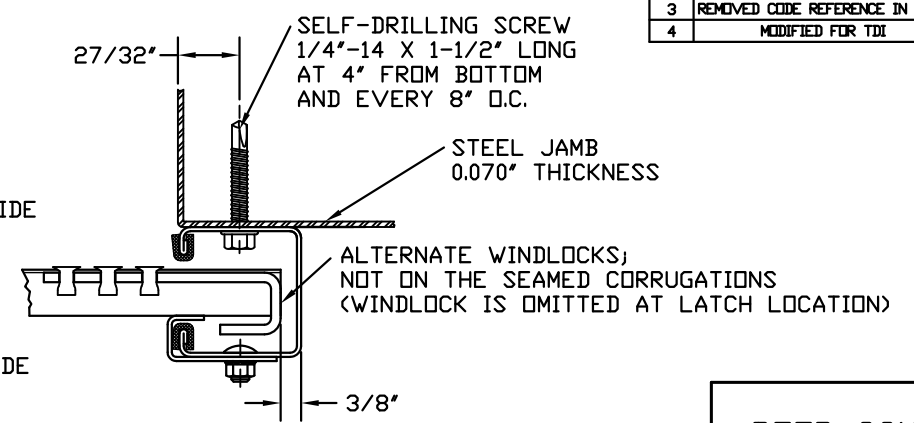
REVISIONS			
REV	DESCRIPTION	DATE	APPROVAL
1	CERTIFICATION UPDATE	6/06/06	H.B.
2	CERTIFICATION UPDATE	8/19/08	B.A.
3	REMOVED CODE REFERENCE IN NOTE	2/21/12	B.A.
4	MODIFIED FOR TDI	12/19/13	B.A.



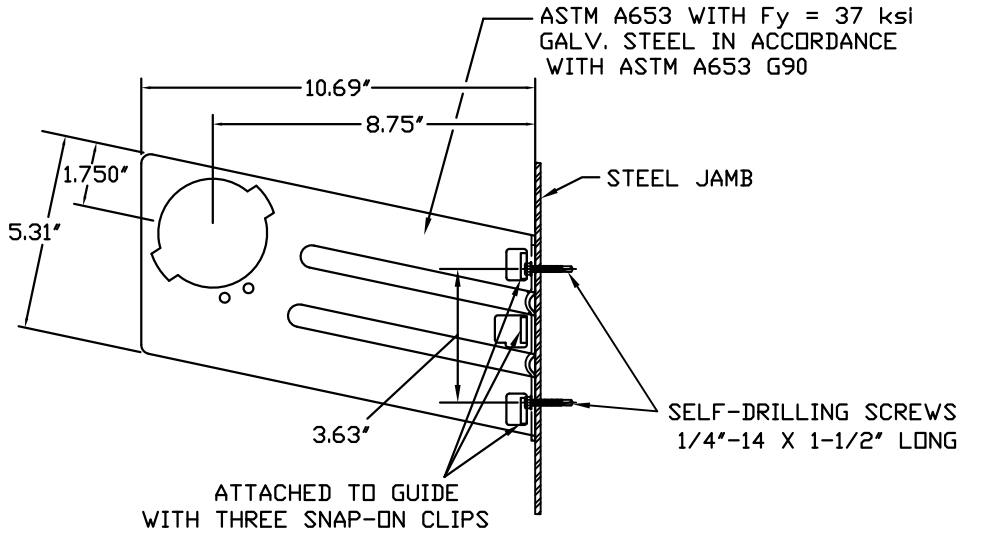
DOOR MOUNTING BRACKET TO MASONRY DETAIL



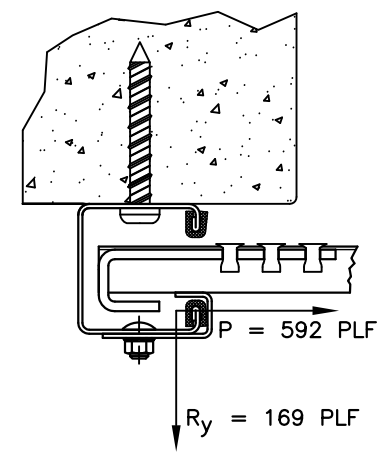
**FOR MASONRY JAMBS:
CURTAIN WIDTH=OPENING WIDTH+7 3/4"
CONCRETE/FILLED BLOCK JAMBS
LH GUIDE MOUNT SHOWN**



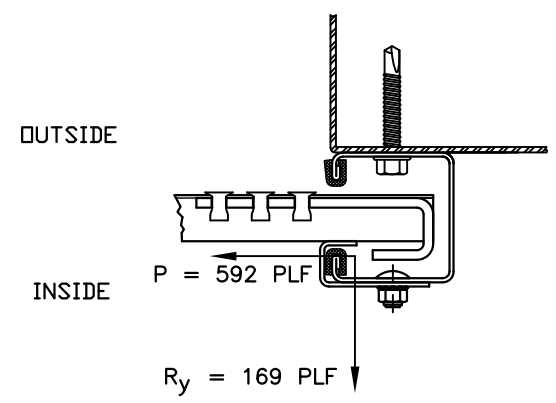
**FOR STEEL JAMBS:
CURTAIN WIDTH=OPENING WIDTH+3"
STEEL JAMBS
RH GUIDE MOUNT SHOWN**



DOOR MOUNTING BRACKET TO STEEL DETAIL



**CONCRETE/FILLED BLOCK JAMBS
LH GUIDE MOUNT SHOWN**



**STEEL JAMBS
RH GUIDE MOUNT SHOWN**

SUPERIMPOSED LOAD DIAGRAM

DOOR SCHEDULE	
DOOR WIDTH	DESIGN PRESSURE (PSF)
≤ 4'-0"	+ 64.2
	- 75.0
5'-0"	+ 55.0
	- 64.2
6'-0"	+ 46.2
	- 53.9
7'-0"	+ 39.8
	- 46.5
8'-0"	+ 34.9
	- 40.8
9'-0"	+ 31.2
	- 36.4
10'-0"	+ 28.2
	- 32.9

GENERAL NOTES:

1. THIS DOOR EVALUATED IN ACCORDANCE WITH TEST METHODS ASTM E330-02 AND ANSI/DASMA 108-05.
2. THIS PRODUCT EVALUATION IS GENERIC. IT DOES NOT INCLUDE INFORMATION PREPARED FOR A SPECIFIC SITE.
3. IT IS THE CONTRACTOR'S RESPONSIBILITY TO VERIFY THE STRUCTURAL CAPACITY OF THE SUBSTRATE (JAMB) TO RESIST THE LOADS IMPOSED BY THE ROLL-UP DOOR.
4. ALL DOOR JAMBS (MASONRY OR STEEL) MUST BE DESIGNED TO RESIST THE FORCES SHOWN IN SUPERIMPOSED LOAD DIAGRAM.
5. THE DOOR ASSEMBLY SHALL BE INSTALLED IN ACCORDANCE WITH THE MANUFACTURER'S INSTALLATION INSTRUCTIONS.

<p>JOHN E. SCATES PE 3121 FAIRGATE CARROLLTON, TX 75007</p> <p>FL PE 51737 TX PE 56308/F-2203</p>	<p>THESE CONFIDENTIAL DOCUMENTS SUBMITTED BY DBCI CONTAIN INFORMATION OF A PROPRIETARY NATURE AND MAY NOT BE REPRODUCED OR USED TO MANUFACTURE ANYTHING IN PART OR IN WHOLE FOR ANY PURPOSE OTHER THAN THAT WHICH IS NECESSARY FOR PREPARATION OF BIDS OR ENGINEERING WITHOUT THE EXPRESS PERMISSION OF DBCI WHICH MAY RECALL DOCUMENTS AT ANY TIME.</p>	<p>PART NUMBER: N/A</p>	<p>DOORS & BUILDING COMPONENTS DOUGLASVILLE, GA CHANDLER, AZ HOUSTON, TX ©2000 DBCI ALL RIGHTS RESERVED</p>								
		<p>MATERIAL: N/A</p>									
		<p>APPLIED FINISH: N/A</p>	<p>26 GA. WIND LOAD MAX. SIZE 10'-0" x 12'-0"</p> <p>SERIES 690 DOOR ASSEMBLY</p>								
		<p>UNIT OF MEASURE: N/A</p>									
		<table border="1"> <tr> <th>APPROVALS</th> <th>DATE</th> </tr> <tr> <td>DRAWN H.B.</td> <td>10/15/05</td> </tr> <tr> <td>CHECKED H.B.</td> <td>10/18/05</td> </tr> <tr> <td>APPROVED</td> <td></td> </tr> </table>	APPROVALS	DATE	DRAWN H.B.	10/15/05	CHECKED H.B.	10/18/05	APPROVED		<p>SIZE B DRAWING NUMBER -300-130-0001.01 REV. 4</p>
APPROVALS	DATE										
DRAWN H.B.	10/15/05										
CHECKED H.B.	10/18/05										
APPROVED											
		<p>SCALE: NONE</p>	<p>SHEET 2 OF 2</p>								